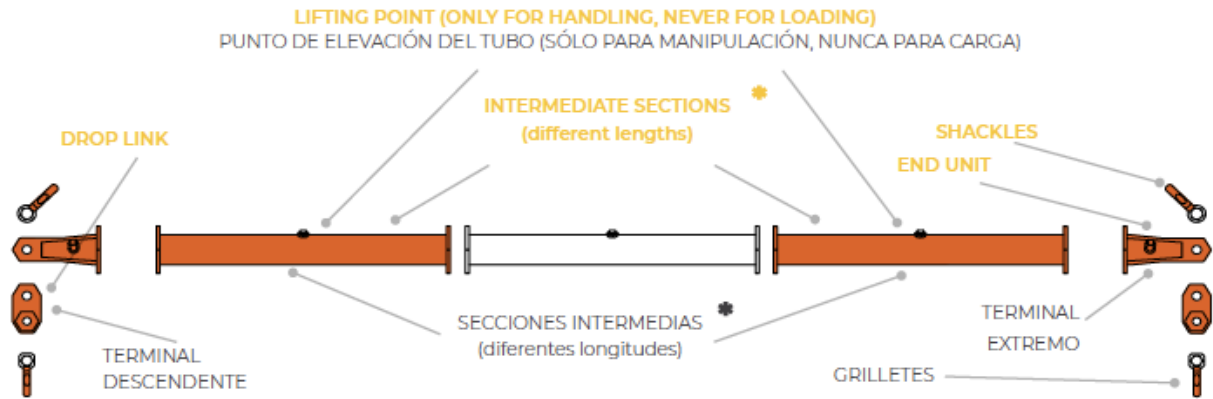
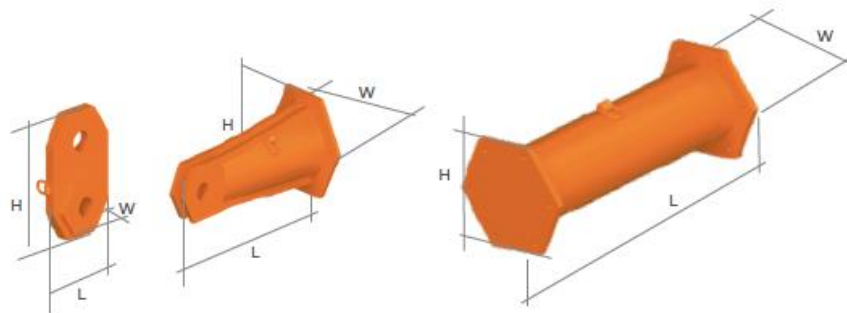


Modulare Spreiztraversen OX SB-24

Technische Daten



- Es können bis zu 5 Zwischenstücke eingefügt werden



| Code | Model | Gewicht (kg) | Abmessungen L x W x H (mm) |
|--------------|-------------------------|-----------------|-------------------------------|
| 80220024S050 | OX-SB-24 Section 500mm | 25 | 500 x 290 x 252 |
| 80220024S100 | OX-SB-24 Section 1000mm | 33,3 | 1000 x 290 x 252 |
| 80220024S200 | OX-SB-24 Section 2000mm | 50 | 2000 x 290 x 252 |
| 80220024S300 | OX-SB-24 Section 3000mm | 66,5 | 3000 x 290 x 252 |
| 80220024S400 | OX-SB-24 Section 4000mm | 83,1 | 4000 x 290 x 252 |
| 80220024E | OX-SB-24 End Unit 250mm | 16,4 | 322 x 290 x 252 |
| 80220024D | OX-SB-24 Drop Link | 7,3 | 144 x 45 x 260 |

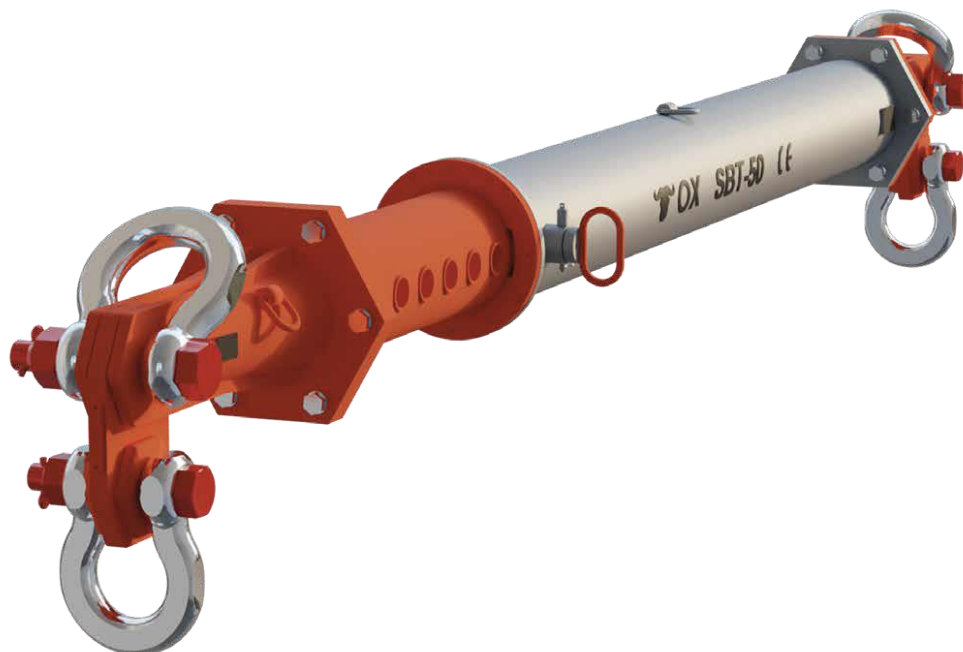


Schäkel:

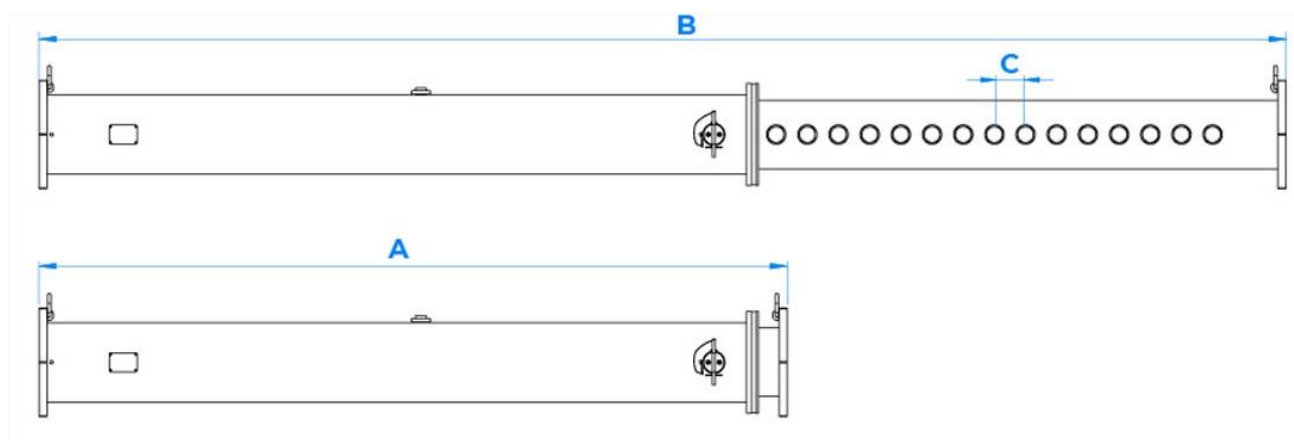


| Model | Oberseite | Unterseite |
|--|--------------------------------|------------------------------|
| Omega Schäkel mit Mutter und Splint | 17t - 1 1/2" Gewicht 8,4 kg | 12t - 1 1/4" Gewicht 5 kg |

Teleskopmodul:

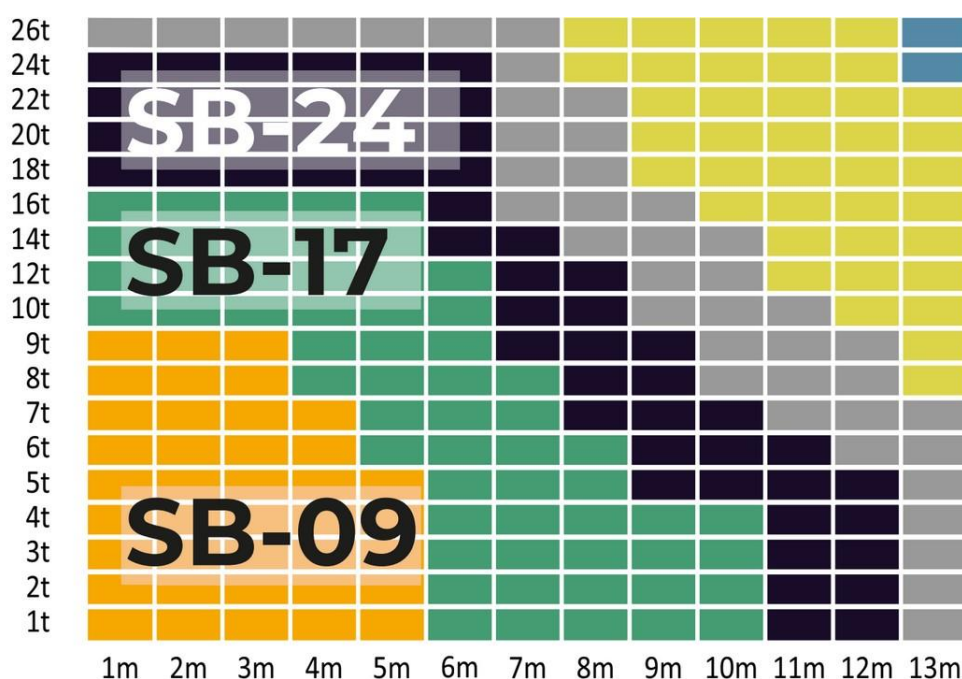


Abmessungen



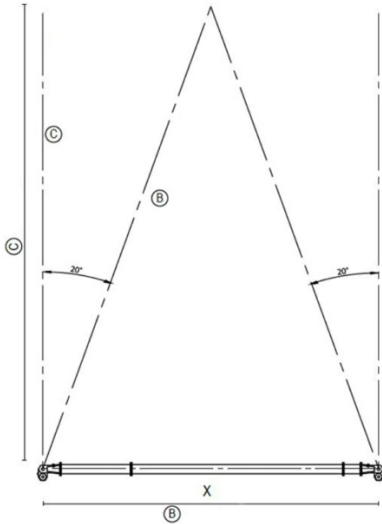
| Code | Model | Gewicht (kg) | Abmessungen (mm) | | | |
|---------------|----------------|--------------|------------------|------|-----|-----------|
| | | | A | B | C | w x h |
| 80220024R1525 | OX SBT-24 1525 | 85 | 1500 | 2500 | 100 | 290 x 252 |
| 80220024R2440 | OX SBT-24 2440 | 122 | 2400 | 4000 | 100 | 290 x 252 |

Tragfähigkeit vs. Spannweite / Anschlagwinkel 30°



Anschlagwinkel:

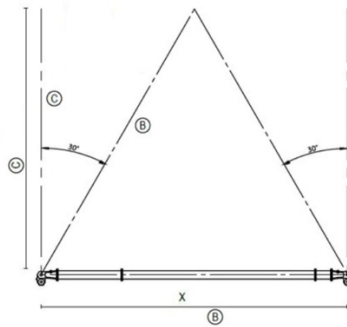
Anschlagwinkel von 20°



$$B = X \times 1,46$$

$$C = X \times 1,37$$

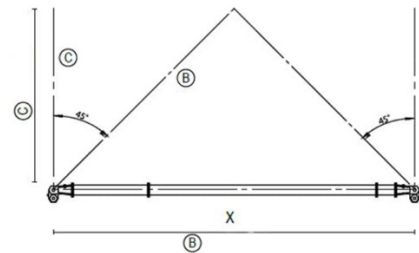
Anschlagwinkel von 30°



$$B = X \times 30^\circ$$

$$C = X \times 0,87$$

Anschlagwinkel von 45°



$$B = X \times 0,71$$

$$C = X \times 0,50$$

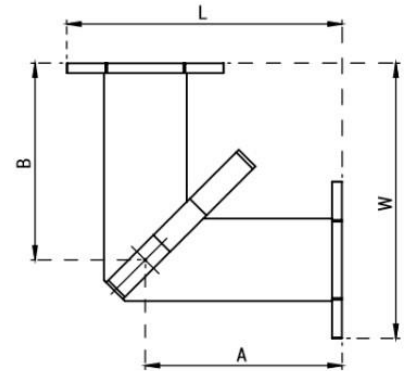
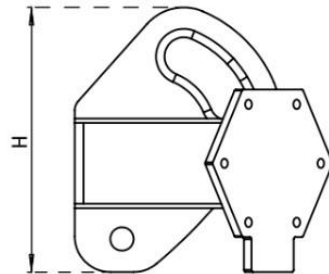
Änderung der Tragfähigkeit durch Anschlagwinkel und Spannweite

| Länge (M) | 0,5 - 4m | 5m | 6m | 7m | 8m | 9m | 10m | 11m | 12m |
|-------------|----------|----|----|------|----|-----|-----|-----|-----|
| 45° WLL (t) | 24 | 18 | 13 | 9 | 7 | 5,5 | 4,5 | 3,5 | 3 |
| 30° WLL (t) | 24 | 24 | 24 | 15,5 | 12 | 9,5 | 7,5 | 6 | 5 |
| 20° WLL (t) | 24 | 24 | 24 | 24 | 18 | 15 | 12 | 9 | 8 |

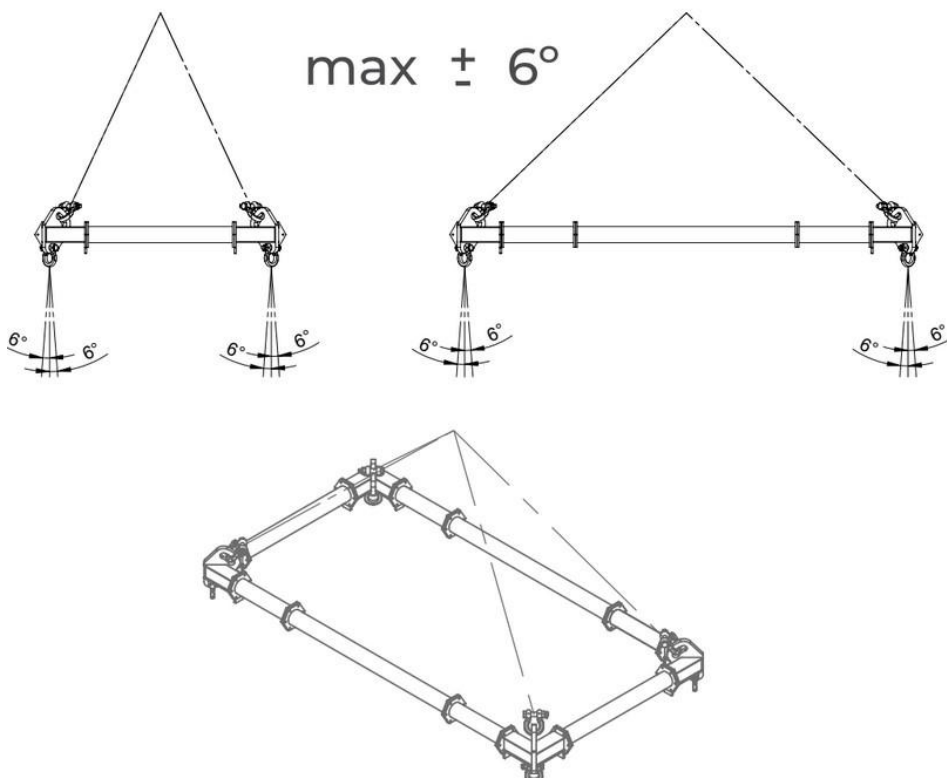
Einsatz als Modulare Rahmen-Spreiztraverse



Abmessungen der Eckstücke



| Code | Model | Gewicht (kg) | Abmessungen (mm) | |
|------------|-------------|--------------|------------------|-----------------|
| | | | A x B | L x W x H |
| 80220024CU | CU OX SB-24 | 74,5 | 500 x 500 | 645 x 645 x 415 |



CU-OX-SB024 - 30°

| | | | | | | | | | | | | |
|----|----------------|----|----|----|----|----|----|----|----|----|----|----|
| | 30° SWL [Tons] | | | | | | | | | | | |
| 12 | | | | | | | | | | | | 15 |
| 11 | | | | | | | | | | | 18 | 15 |
| 10 | | | | | | | | | 22 | 17 | 14 | |
| 9 | | | | | | | | 26 | 21 | 16 | 14 | |
| 8 | | | | | | | 28 | 25 | 20 | 15 | 13 | |
| 7 | | | | | | 28 | 25 | 22 | 18 | 15 | 13 | |
| 6 | | | | | 28 | 25 | 22 | 21 | 17 | 14 | 12 | |
| 5 | | | | 35 | 25 | 22 | 21 | 19 | 15 | 13 | 12 | |
| 4 | | | 35 | 28 | 22 | 21 | 19 | 17 | 14 | 12 | 11 | |
| 3 | | 35 | 35 | 28 | 21 | 19 | 17 | 15 | 13 | 12 | 11 | |
| 2 | 35 | 35 | 35 | 28 | 19 | 17 | 15 | 14 | 13 | 12 | 10 | |
| 1 | 35 | 35 | 35 | 28 | 26 | 17 | 15 | 14 | 13 | 12 | 10 | 10 |
| | 12 | | 34 | | 56 | | 78 | | 91 | 01 | 11 | 2 |

Span [m]

CU-OX-SB024 - 45°

| | | | | | | | | | | | | |
|----|----------------|----|----|----|----|----|----|----|----|----|----|----|
| | 45° SWL [Tons] | | | | | | | | | | | |
| 12 | | | | | | | | | | | | 8 |
| 11 | | | | | | | | | | | 10 | 8 |
| 10 | | | | | | | | | 12 | 10 | 8 | |
| 9 | | | | | | | | | 16 | 12 | 9 | 7 |
| 8 | | | | | | | | 18 | 16 | 11 | 8 | 7 |
| 7 | | | | | | | 18 | 16 | 14 | 10 | 8 | 7 |
| 6 | | | | | | 18 | 16 | 14 | 14 | 10 | 8 | 7 |
| 5 | | | | | 23 | 16 | 14 | 14 | 12 | 10 | 8 | 7 |
| 4 | | | | 26 | 18 | 14 | 14 | 12 | 12 | 10 | 8 | 7 |
| 3 | | | 26 | 26 | 18 | 14 | 12 | 12 | 10 | 9 | 8 | 7 |
| 2 | | 26 | 26 | 23 | 18 | 12 | 12 | 10 | 9 | 8 | 7 | 6 |
| 1 | 26 | 26 | 26 | 18 | 16 | 12 | 10 | 9 | 8 | 7 | 6 | 6 |
| | 1 | 2 | 3 | 4 | 5 | 6 | 7 | 8 | 9 | 10 | 11 | 12 |

Span [m]

